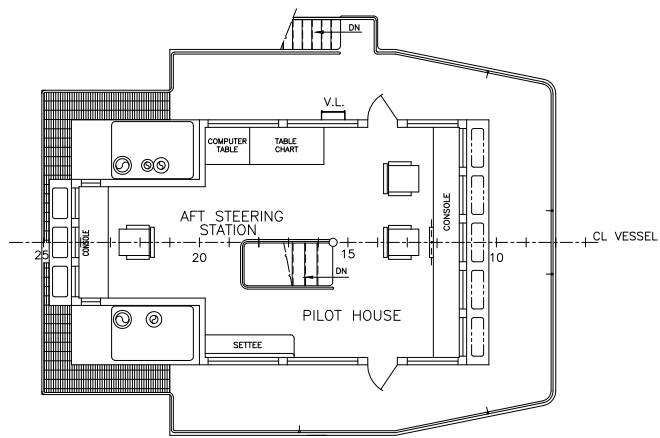
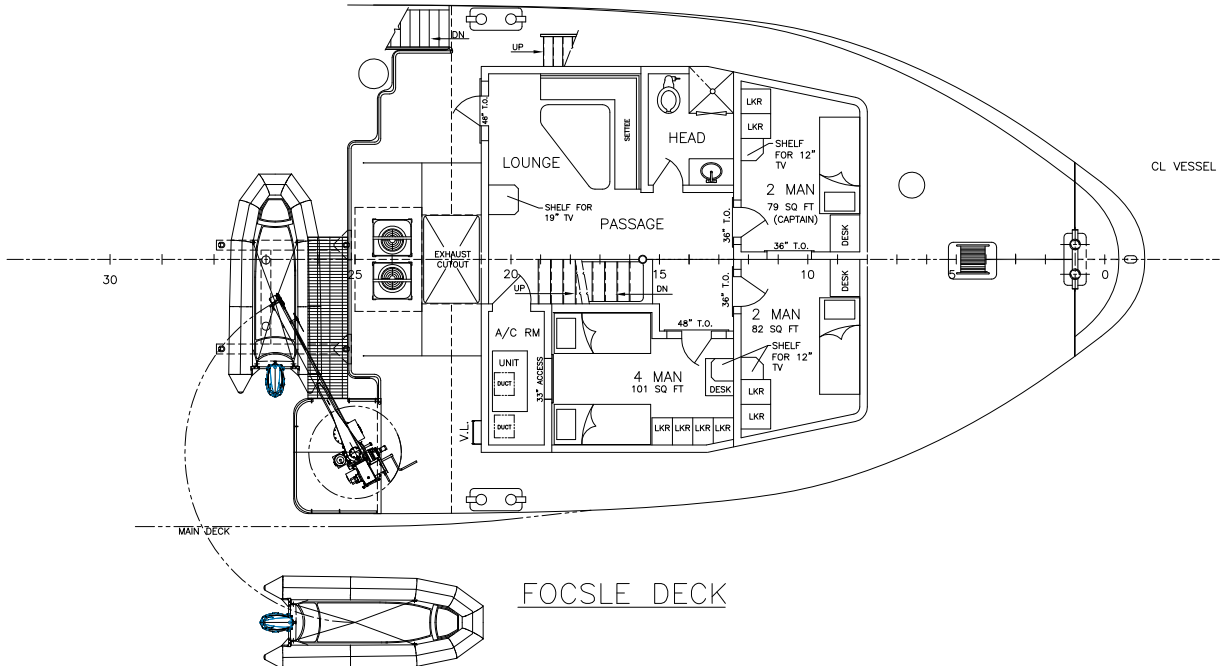


7 6 5 4 3 2 1

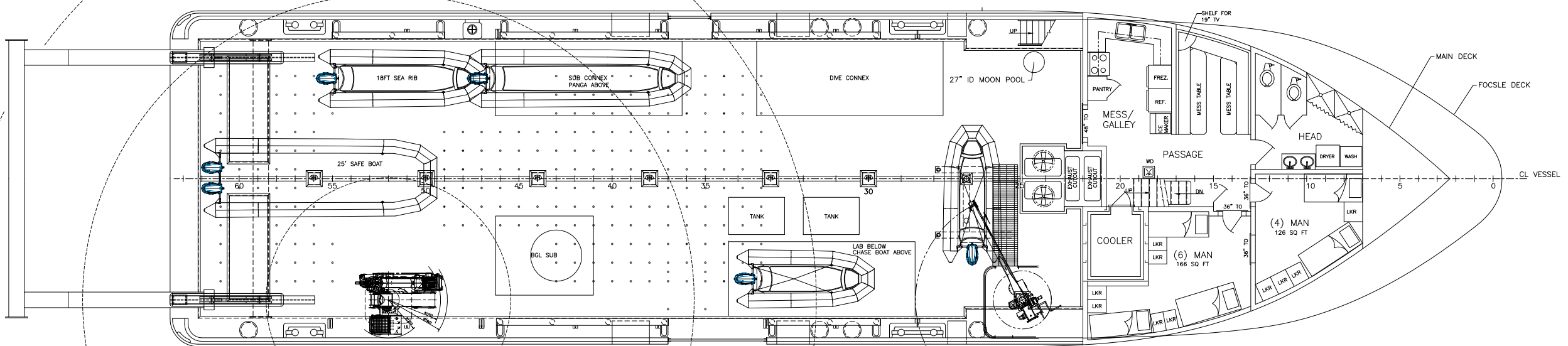
REVISIONS					
REV	ZONE	ITEM	DESCRIPTION	DATE	APVL
1	-	-	REMOVED PORTABLE ACCOMODATIONS	11/15/16	AM
2	-	-	ADDED DECK OUTLETS	6/29/17	AM



PILOTHOUSE ARRANGEMENT



FOCSLE DECK



MAIN DECK ARRANGEMENT

D  
C  
B  
A

D  
C  
B  
A

8 7 6 5 4 3 2 1

APPROVALS		ABS _____		OTHER _____	
USCG _____		OWNER _____			
<b>GUICE OFFSHORE</b>			THE USE OF THIS DRAWING AND / OR DISCLOSURE OF ITS CONTENTS IN WHOLE OR IN PART AND / OR ITS REPRODUCTION WITHOUT THE EXPRESS WRITTEN PERMISSION OF GUICE OFFSHORE, LLC IS STRICTLY PROHIBITED.		
P.O. BOX 1698 MANDEVILLE, LA 70470			<b>MV GO AMERICA</b>		
FSCM: _____			<b>GENERAL ARRANGEMENT</b>		
DRAWN: C.B.			<b>BGL - BASE LAYOUT</b>		
CHECKED: ASA MOSS					
DATE: 11-7-16			SIZE: D	FSCM NO.:	SWBS:
CONTRACT NUMBER			DWG NO.:	REV: 2	
			SCALE: NTS		SH 2 OF 2

1	1	REV	REV STATUS OF SHEETS
1	1	SHEET	

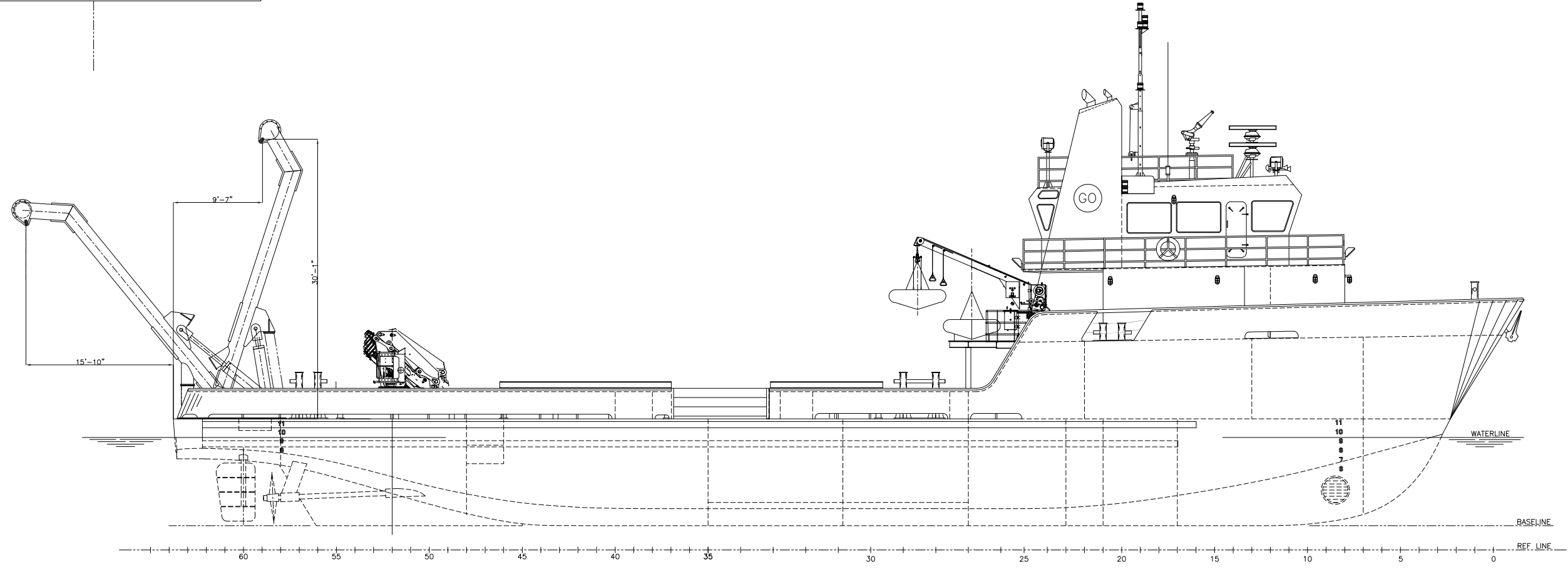
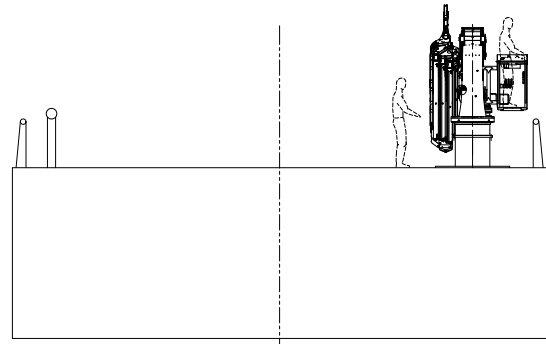
25FT  
14,330 LBS

33 FT  
5,732 LBS

46FT  
3,850 LBS

7 6 5 4 3 2 1

REVISIONS					
REV	ZONE	ITEM	DESCRIPTION	DATE	APVL
1	-	-	REMOVED PORTABLE ACCOMODATIONS	11/15/16	AM
2	-	-	ADDED DECK OUTLETS	6/29/17	AM
3	-	-	CORRECTED CRANE LOAD CHART	8/10/18	AM



PROFILE

D  
C  
B  
A

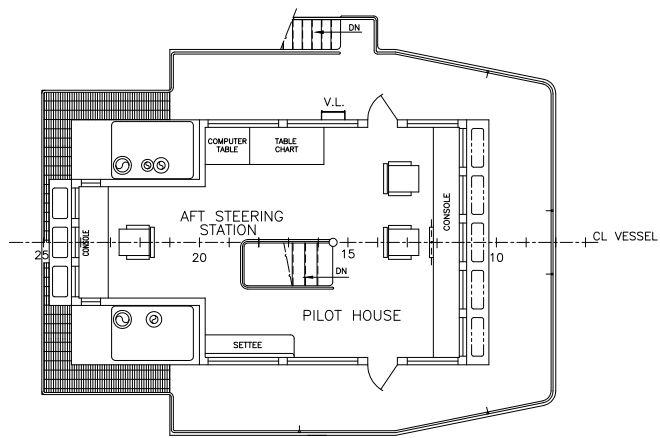
D  
C  
B  
A

8 7 6 5 4 3 2 1

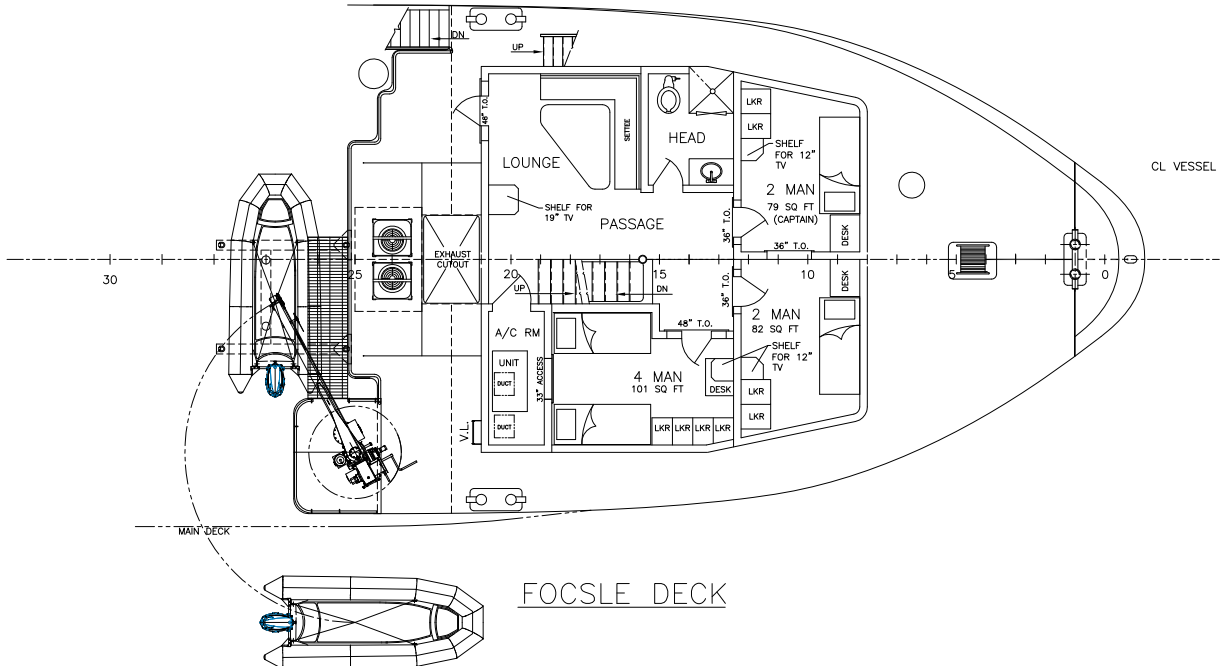
ABS _____		OTHER _____	
USCG _____		OWNER _____	
<b>GUICE OFFSHORE</b>		THE USE OF THIS DRAWING AND / OR DISCLOSURE OF ITS CONTENTS IN WHOLE OR IN PART AND / OR ITS REPRODUCTION WITHOUT THE EXPRESS WRITTEN PERMISSION OF GUICE OFFSHORE, LLC IS STRICTLY PROHIBITED.	
P.O. BOX 1698 MANDVILLE, LA 70470		<b>MV GO AMERICA</b>	
FSCM: _____		<b>GENERAL ARRANGEMENT</b>	
DRAWN: C.B.		<b>BGL - BASE LAYOUT</b>	
CHECKED: ASA MOSS		SIZE: D	FSCM NO. _____
DATE: 11-7-16	CONTRACT NUMBER _____	SWBS _____	DWG NO. _____
0 0 REV	REV STATUS	SCALE: NTS	REV 3
1 1 SHEET	OF SHEETS	SH 1 OF 2	

7 6 5 4 3 2 1

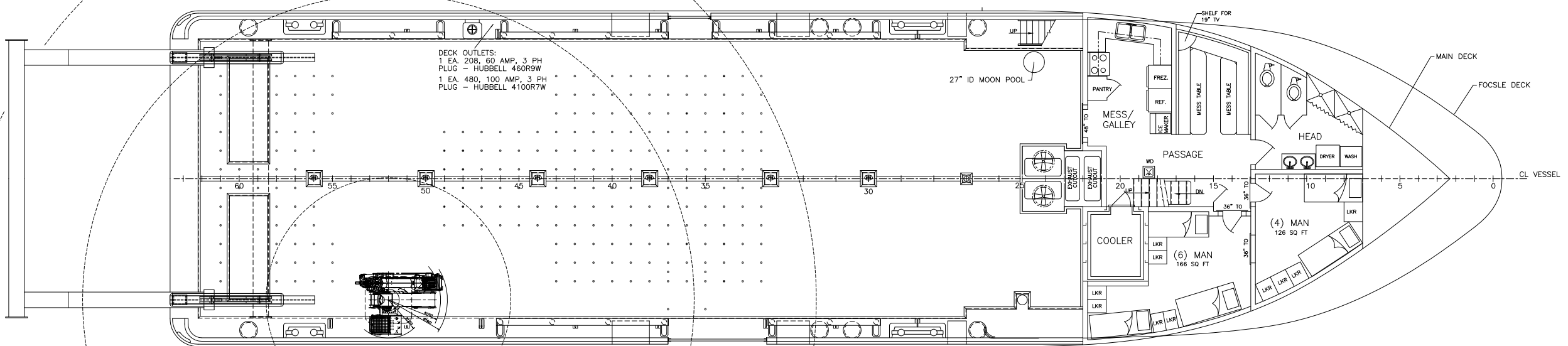
REVISIONS					
REV	ZONE	ITEM	DESCRIPTION	DATE	APVL
1	-	-	REMOVED PORTABLE ACCOMODATIONS	11/15/16	AM
2	-	-	ADDED DECK OUTLETS	6/29/17	AM
3	-	-	CORRECTED CRANE LOAD CHART	8/10/18	AM



PILOTHOUSE ARRANGEMENT



FOCSLE DECK



MAIN DECK ARRANGEMENT

D  
C  
B  
A

D  
C  
B  
A

8 7 6 5 4 3 2 1

ABS _____		OTHER _____	
USCG _____		OWNER _____	
<b>GUICE OFFSHORE</b>		THE USE OF THIS DRAWING AND / OR DISCLOSURE OF ITS CONTENTS IN WHOLE OR IN PART AND / OR ITS REPRODUCTION WITHOUT THE EXPRESS WRITTEN PERMISSION OF GUICE OFFSHORE, LLC IS STRICTLY PROHIBITED.	
P.O. BOX 1698 MANDVILLE, LA 70470		<b>MV GO AMERICA</b>	
FSCM: _____		<b>GENERAL ARRANGEMENT</b>	
DRAWN: C.B.		<b>BGL - BASE LAYOUT</b>	
CHECKED: ASA MOSS		DATE: 11-7-16	
DATE: 11-7-16		SIZE: D	FSCM NO. _____
CONTRACT NUMBER _____		SWBS _____	DWG NO. _____
1	1	REV	REV STATUS OF SHEETS
1	1	SHEET	
SCALE: NTS		SH 2 OF 2	

1	1	REV	REV STATUS OF SHEETS
1	1	SHEET	

DECK OUTLETS:  
1 EA. 208, 60 AMP, 3 PH  
PLUG - HUBBELL 460R9W  
1 EA. 480, 100 AMP, 3 PH  
PLUG - HUBBELL 4100R7W

13 FT  
14,330 LBS

33 FT  
5,732 LBS

46 FT  
3,850 LBS